

CO DETECTOR(CARBON MONOXIDE)
NB-930 SERIES
USER MANUAL

wizMart



CO Detector
England
Electro-chemical
sensor technology
5-Year Guarantee

3xAAA Batteries
Version

AC+3xAAA
Version

100-230 V
Version

DC12-35V
Version

CO detectors may save your lives!

Great danger: Carboxyhemoglobin produces flu-like symptoms, for example :headaches , fatigue , nausea, dizzy spells , confusion, and irritability. Since symptoms are similar to the flu , carbon monoxide poisoning can be misdiagnosed. As levels of COHb rise, victims suffer vomiting, loss of consciousness, and eventually brain damage or death.

Application: Home, office, recreational vehicle or boat

WIZMART CO Detector alarms you well before the harmful level is reached.

1. Mounting locations

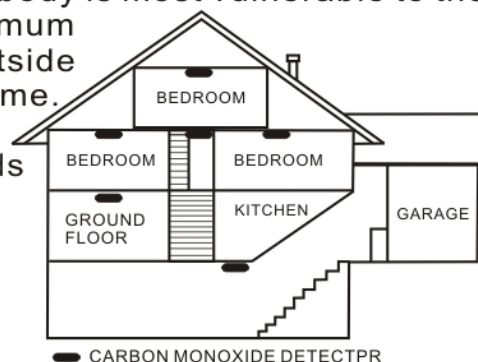
1a



Potential Sources of Carbon Monoxide in the Home

1b LOCATIONS TO INSTALL YOUR DETECTOR

Since CO gas moves freely in the air, the suggested location is in or as possible closed to sleeping areas of the home. The human body is most vulnerable to the effects of CO gas during sleeping hours. For maximum protection, a CO detector should be located outside primary sleeping areas or on each level of your home. The electro-chemical sensor detects carbon monoxide, measures the concentration and sounds a loud alarm before a potentially harmful level is reached.

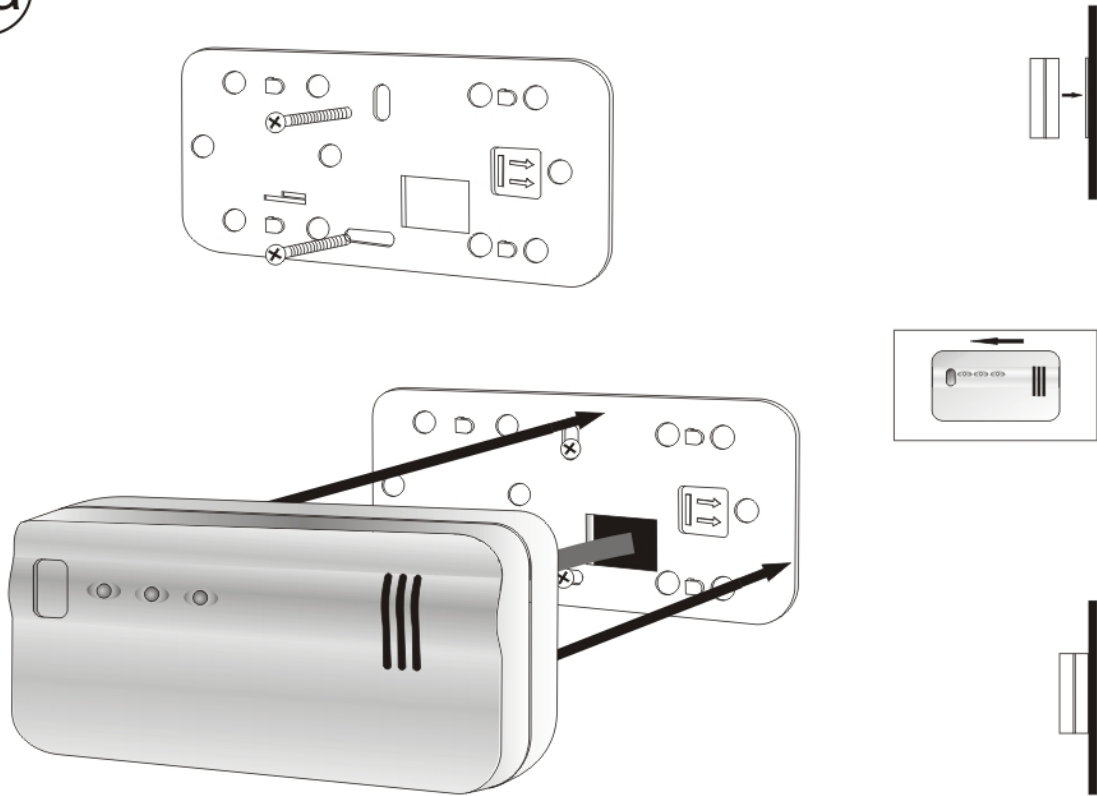


Do not place the detector in the following areas:

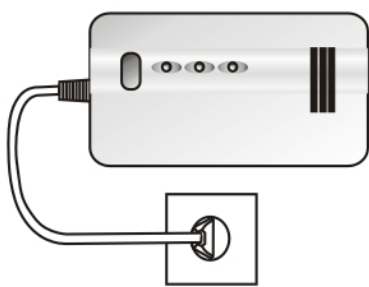
- (a) Whether the temperature may drop below 40F(4.4°C) or exceed 100F(37.8°C)
- (b) Near paint thinner fumes
- (c) Within 5 feet (1.5meter) of open flame appliances such as furnaces, stoves and fireplaces
- (d) In exhaust streams from gas engines, vents, flues or chimneys
- (e) Do not place in close proximity to an automobile exhaust pipe; this will damage the detector

2. Mounting

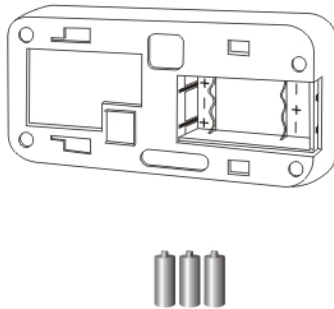
2a



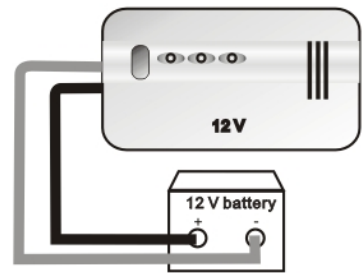
2b



100/110/120/230/240 VAC
60/50Hz

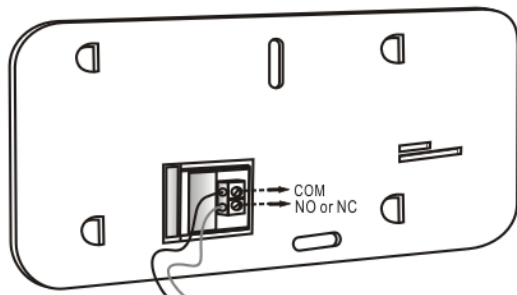


3XAAA batteries



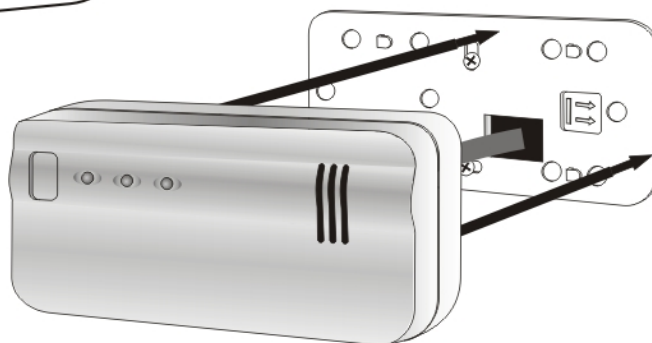
brown = +
blue = -

3. Mounting for the relay function



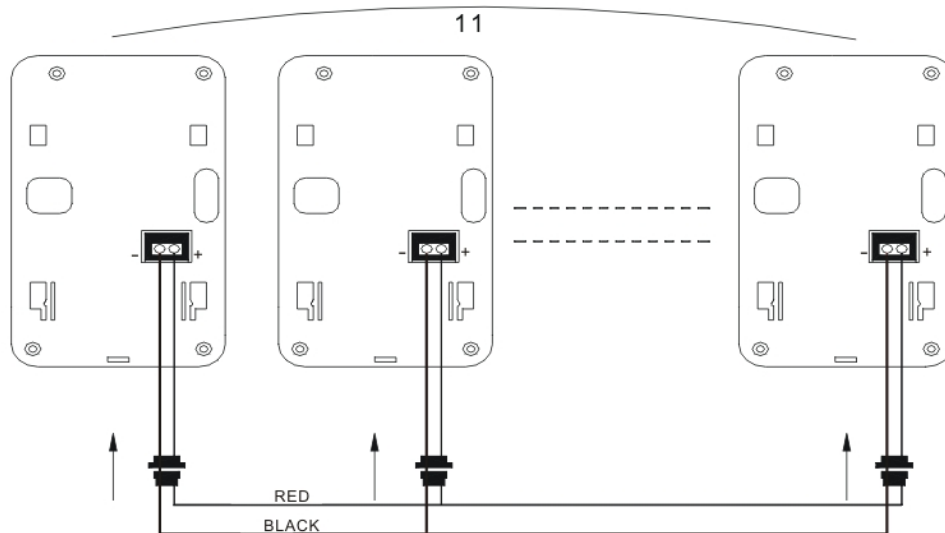
NO:0.5A/125VAC
1A/30VDC

Option:Customer can choose NO or NC in the purchasing order.



Examples for using the relay
Siren,signal lamp,alarm system.

4. Mounting for the interconnection



TO ADDITIONAL DETECTORS
MAX OF 11 INTERCONNECTED

- (1)The NB-930I Carbon Monoxide detector can be interconnected only to other detectors of the same type. DO NOT connect to any other type.
- (2)The total length of wire interconnecting the detectors should be no more than 1000 feet. The interconnecting wire should be #18 AWG or larger and be rated at least 300V.
- (3)The installation of such detector must be in accordance with the requirements of Article 760 of the National Electrical Code and any local codes that apply.

5. Specifications

Power supply	100/110/120/230/240 VAC 60/50Hz, 5W 3XAAA batteries DC12V
Dimensions	80mmX140mmX46mm
Operating temperature	0°C to 49°C
LED light & buzzer:	
Power on	-Green LED remains on for AC power -Green LED flashes every 1 minute for battery power
Full Alarm	-Red LED flashes and 3 beeps, pause, 3 beeps, pause
Testing	-The three LED flash and 3 beeps, pause , 3beeps,pause
Malfunctioning	-Orange LED flashes and beeps, pause, beeps, pause
Manufactured in compliance with	CE/UL 2034 /EN 50291
Signal volume	85 dB at a distance of 3 m (10 feet)
Batteries life	Minimum 5 years at normal operation

Based on UL requirements UL 2034 Standard.

A full alarm is activated under the following conditions:

- between 60 and 90 minutes at exposures of 70 ppm
- between 10 and 30 minutes at exposures of 150 ppm
- between 4 and 10 minutes at exposures of 400 ppm

No warning under the following conditions:

- for 30 days at exposures of 30 ppm
- for 60 minutes at exposures of 70 ppm
- for 10 minutes at exposures of 150 ppm
- for 4minutes at exposures of 400 ppm

Based on EN requirements EN 50291 standard.

A full alarm is activated under the following conditions:

- between 60 and 90 minutes at exposures of 50 ppm
- between 10 and 40 minutes at exposures of 100 ppm
- within 3 minutes at exposures of 300 ppm

No warning under the following conditions:

- for 120 minutes at exposures of 30 ppm
- for 60 minutes at exposures of 50 ppm
- for 10 minutes at exposures of 100 ppm

The right to make technical and visual modifications without announcement is reserved.

ACTIONS TO TAKE WHEN ALARM SOUNDING

In case of harmful levels of CO gas being detected , your detector will go into a continuous full alarm . Try to take the following necessary actions immediately:

(a)if there is any one experiencing the effects of carbon monoxide poisoning such as headache, dizziness, nausea or other flu-like symptoms, call your fire department right away or 911. You should evacuate all the people in the premises immediately . Do a head count to check that everybody is accounted for.

(b)Do not re-enter the premises until the problem has been corrected and the CO gas has been dispersed out and a safe level is reached.

(C)if no symptoms exist , immediately ventilate the home by opening windows and doors. Turn off fuel burning appliances and call a qualified technician or your utility company to inspect and repair your problem before restarting appliances.

NOTE: You can switch off the acoustic alarm tone in the event of an alarm. The red LED will continue to flash, but short signal tone will beep approximately event 30 secs, which is called silent mod. After 8 minutes, the detector will leave silent mode.

WARNING: Normally an activation of the detector indicates the presence of CO gas. However, the CO gas can be extremely fatal, if it is not detected. The source of the CO gas may come from several possible situations, please refer to the list of source of carbon monoxide in page 2.

CAUTION: This detector will only indicate the presence of CO gas may be present in other areas in the premises.

Guarantee

Walmart guarantees no batteries or sensors to be replaced in 5 years at normal operation.

The CO detector has been tested to comply with the applicable regulations and it has been manufactured with great care.

The guarantee runs for 5 years from purchase of the equipment by the end consumer. The guarantee can only be upheld if the unmodified equipment is returned together with the dated receipt, after it has been packed and adequately stamped. Please include a brief, written description of the defect with the equipment being complained about.

If the guarantee claim is authorized, then the manufacturer will choose either repair the equipment within reasonable period or to exchange it. If the guarantee claim is unjustified (e.g., made after expiry of the guarantee period, or the defect is not covered by the guarantee claim), then the manufacturer will try to repair the equipment economically.

The guarantee liability does not refer to natural wear and tear, alteration by environmental influences or damage caused by transportation; nor to damage which has occurred as a result of noncompliance with the mounting instructions or improper installation.

Do not change the batteries, or use the next types of battery:
Energizer 525-EN92 or 525-E92
Duracell 613--PC2400 or 613-MN2400
GP 57324A

The manufacturer is not liable for indirect or consequential damage, nor for damage to property.



**5 year
guarantee**

WIZMART TECHNOLOGY INC.

2F, Building B, #143, Qi-Xin Road, Jiang Dong Hi-Tech part,
Ning Bo City 315040, Zhe-Jiang, China

TEL:+86-1395-780-7788 FAX:+86-1395-780-2288